



Shanghai Minyue
Semiconductors Co.,Ltd
Tel:0086-21-57159233
Fax:0086-21-60415325

ESD5V0D3B

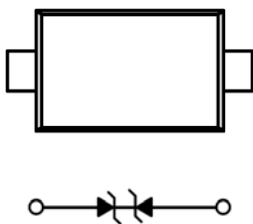
Features

- For sensitive ESD protection
- Low clamping voltage
- Low leakage
- Protects one power or I/O port
- ESD protection > 35 kV
- Fast response ,response time less than 1ns.
Epoxy meets UL 94 V-0 flammability rating
Moisture Sensitivity Level 1

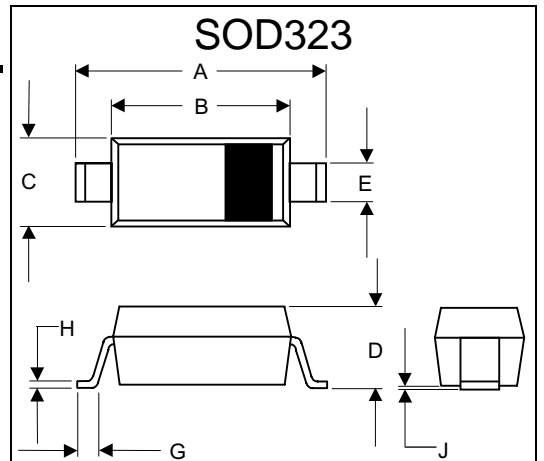
Maximum Ratings

- Operating Junction & Storage Temperature: -55°C to +150°C

Parameter	Symbol	Limits	unit
IEC61000-4-2(ESD) Air Contact		±15 ±8	KV
IEC 61000-4-4 (EFT) (5/50ns)		40	A
Power Dissipation	Ppp	500	W

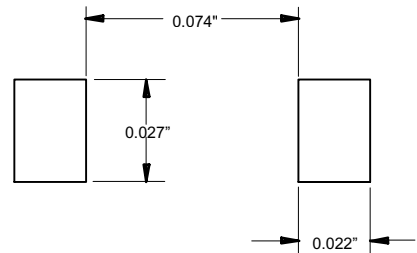


5.0Volts ESD Protection Devices



DIM	INCHES		MM		NOTE
	MIN	MAX	MIN	MAX	
A	.090	.107	2.30	2.70	
B	.063	.071	1.60	1.80	
C	.045	.053	1.15	1.35	
D	.031	.045	0.80	1.15	
E	.010	.016	0.25	0.40	
G	.004	.018	0.10	0.45	
H	.004	.010	0.10	0.25	
J	-----	.006	-----	0.15	

SUGGESTED SOLDER PAD LAYOUT



ELECTRICAL CHARACTERISTICS ($T_A = 25^\circ\text{C}$ unless otherwise noted)

Parameter	Symbol	Conditions	Min.	Typ.	Max.	Units
Reverse stand-off voltage	V_{RWM}				5	V
Reverse Breakdown voltage	V_{BR}	$I_t = 1\text{mA}$	6			V
Reverse Leakage Current	I_R	$V_{RWM} = 5\text{V}$ $T=25^\circ\text{C}$			1	μA
Clamping Voltage	V_C	$I_{PP} = 1\text{A}$ $t_p = 8/20\mu\text{s}$			9.8	V
Clamping Voltage	V_C	$I_{PP}=42\text{A}$ $t_p = 8/20\mu\text{s}$			13.5	V
Junction Capacitance	C_j	$V_R=0\text{V}$ $f = 1\text{MHz}$			35	pF

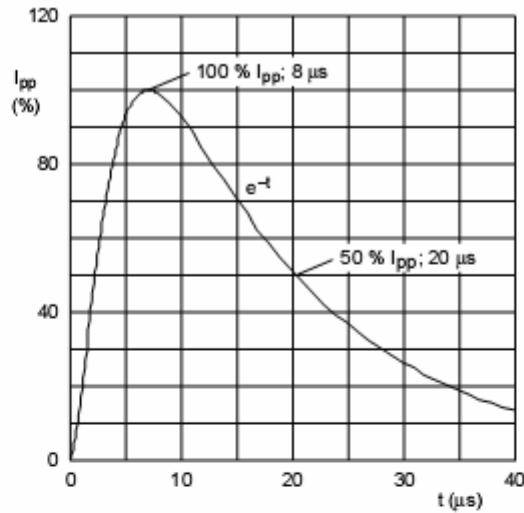


Figure 1. 8/20us pulse waveform

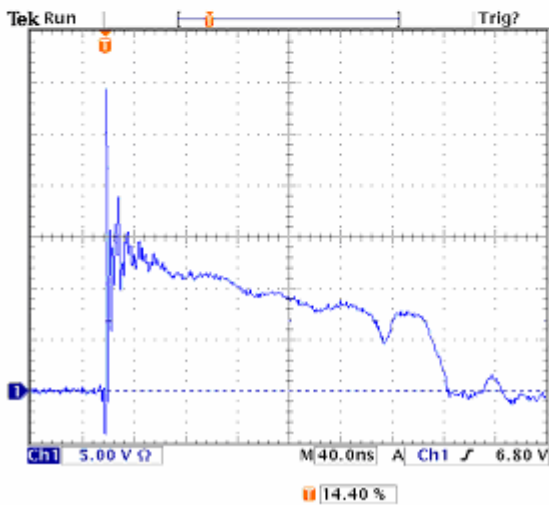


Figure 2 . Positive 8 kV Contact per IEC 6100-4-2

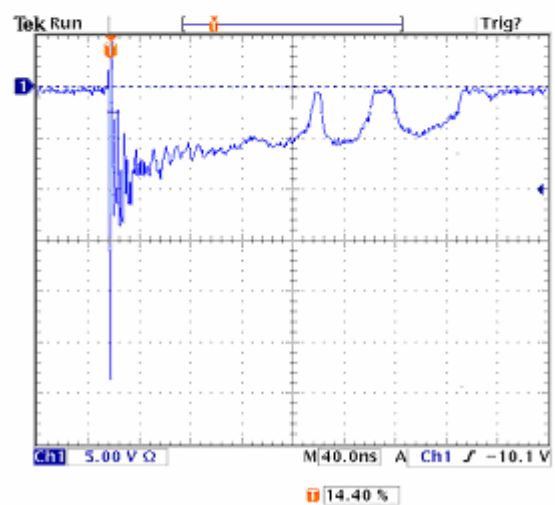


Figure 3. Negative 8 kV Contact per IEC 6100-4-2