



Shanghai Minyue
Semiconductors Co.,Ltd
Tel:0086-21-57159233
Fax:0086-21-60415325

Products End of Life Notification

Issue date: Apr-1st-2010

EOL No. #:040110

Last Buy Date :N/A

Description and Purpose:

© has undergone a review of its core business and products , and determined to

discontinue below products:

Discontinued Devices	
BAT46	N/A



Shanghai Miyue
Semiconductors Co.,Ltd
Tel:0086-21-57159233
Fax:0086-21-60415325

BAT46

Small Signal Schottky Diode

Features

- Lead Free Finish/Rohs Compliant (Note1) ("P" Suffix designates Compliant. See ordering information)
- For general purpose applications
- These diodes features very low-turn-on voltage and fast switching. These devices are protected by a PN junction guard ring against excessive voltage, such as electrostatic discharges.
- Marking : Cathode band and type number
- Moisture Sensitivity: Level 1 per J-STD-020C

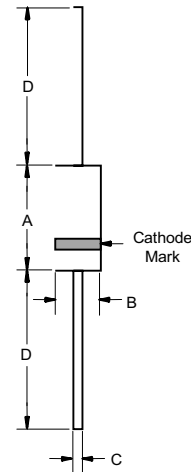
Maximum Ratings

- Operating Temperature: -55°C to +125°C
- Storage Temperature: 55°C to +150°C
- Maximum Thermal Resistance; 300°C/W Junction To Ambient

Electrical Characteristics @ 25°C Unless Otherwise Specified

Repetitive Peak Reverse Voltage	V_{RRM}	100V	
Forward continuous Current	I_F	150mA ²⁾	$T_A = 25^\circ\text{C}$
Power Dissipation	P_{TOT}	150mW ²⁾	$T_A = 65^\circ\text{C}$
Junction Temperature	T_J	125°C	
Peak Forward Surge Current	I_{FSM}	750mA ²⁾	$T_p < 10\text{ms}, T_A = 25^\circ\text{C}$
Forward voltage pulse Test $t_p < 300\mu\text{s}$, at $V_R = 10\text{V}$, $T_J = 60^\circ\text{C}$, $\delta < 2\%$	V_F	0.25V 0.45V 1V	$I_F = 0.1\text{mA}$ $I_F = 10\text{mA}$ $I_F = 250\text{mA}$
Leakage current pulse test $t_p < 300\mu\text{s}$, $\delta < 2\%$	I_R	0.5 μA 0.8 μA 2 μA 5 μA	$V_R = 1.5\text{V}$ $V_R = 10\text{V}$ $V_R = 50\text{V}$ $V_R = 75\text{V}$
Typical Junction Capacitance	C_J	6pF	Measured at 1.0MHz, $V_R = 1\text{V}$
Reverse Recovery Time	T_{rr}	5nS	$I_F = 10\text{mA}$ $V_R = 6\text{V}$ $R_L = 100\Omega$

DO-35



DIM	DIMENSIONS				NOTE
	INCHES		MM		
	MIN	MAX	MIN	MAX	
A	---	.166	---	4.2	
B	---	.079	---	2.00	
C	---	.020	---	.52	
D	1.000	---	25.40	---	

- Note: 1. Lead in Glass Exemption Applied, see EU Directive Annex 5.
2. Valid provided that electrodes are kept at ambient temperature

BAT46



Figure 1. Forward current versus forward voltage at different temperatures (typical values)

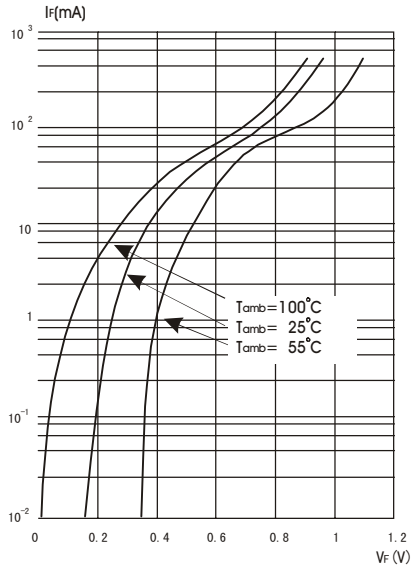


Figure 2. Forward current versus forward voltage (typical values)

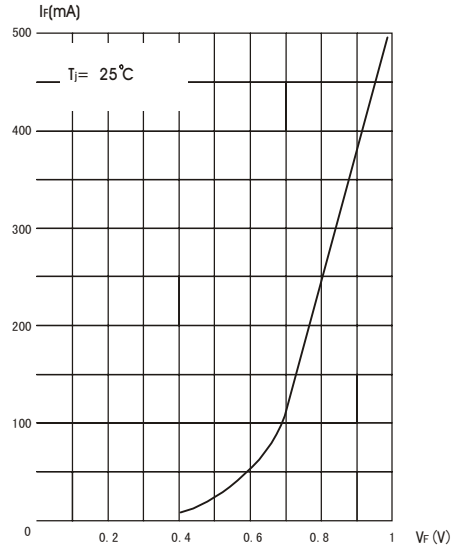
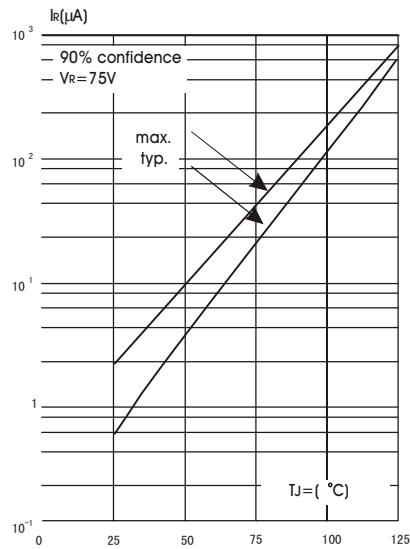


Figure 3. Reverse current versus junction temperature (typical values)



BAT46



Figure 4.Reverse current versus continuous Reverse voltage

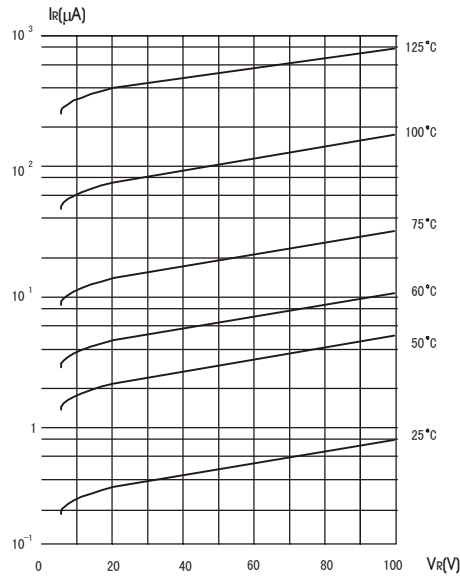
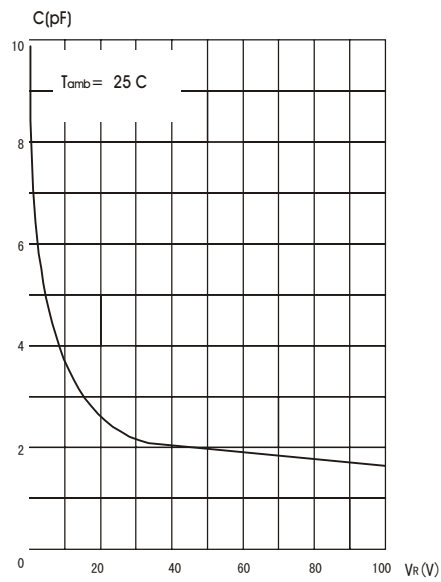


Figure 5.Capacitance C versus reverse applied voltage V_R (typical values)





Ordering Information

Device	Packing
(Part Number)-TP	Tape&Reel; 10Kpcs/Reel
(Part Number)-AP	Ammo Packing;5Kpcs/AmmoBox
(Part Number)-BP	Bulk;500pcs/Bag

IMPORTANT NOTICE

Micro Commercial Components Corp. reserves the right to make changes without further notice to any product herein to make corrections, modifications, enhancements, improvements, or other changes. *Micro Commercial Components Corp.* does not assume any liability arising out of the application or use of any product described herein; neither does it convey any license under its patent rights, nor the rights of others. The user of products in such applications shall assume all risks of such use and will agree to hold *Micro Commercial Components Corp.* and all the companies whose products are represented on our website, harmless against all damages.

APPLICATIONS DISCLAIMER

Products offer by *Micro Commercial Components Corp.* are not intended for use in Medical, Aerospace or Military Applications.